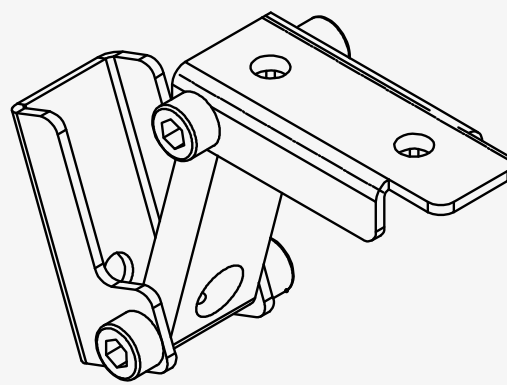


The illustration above displays the wall mounting arrangement for the ST 43 loudspeaker and identifies the essential hardware supplied.

Components

- W2C-1 Clamp Assembly
- Anchor bolts
- ST 43 Loudspeaker

ST 43 Wall Mounting



**W2C-1
Clamp Assembly**

Application Guidance

- o Fix the W2C-1 to the ceiling using anchor bolts as shown in the diagram.
- o Attach W2C-1 clamp assembly to the ceiling/ wall first.
- o Mount Loudspeaker on the W2C-1 and tighten the fastener behind the loudspeaker.
- o Verify all joints before use.

This configuration ensures a stable, secure, and standards-compliant wall mounting for the ST 43 loudspeaker, showing all hardware placement and component relationships clearly.